

EPSILON LOADERS

PALFINGER

PROFESSIONAL LOGGING SOLUTIONS A-LINE M13A



EPSILON - LOGGING WITH EXCELLENCE

Worldwide, PALFINGER is known for providing the most EFFICIENT, RELIABLE and INNOVATIVE material handling products for use on commercial vehicles. Since its establishment in 1932, PALFINGER has been among the leading international manufacturers of hydraulic lifting solutions. PALFINGER began manufacturing EPSILON Timber and Recycling Loaders in 1980 and, in 1989, opened its North American Headquarters to offer solutions tailored to the North American market. Today, EPSILON loaders are a global leader in the logging and recycling segment.

The main guiding principal of PALFINGER is to make our customers more successful with the help of our advanced machines, market experience, technical skills and committed employees. In such, over 5000 sales and service centers operate in more than 130 countries to provide PALFINGER users with the support and dedication that they deserve.

At PALFINGER, we recognize that you have many choices when selecting your equipment provider. By investing in the EPSILON A-Line, you are selecting a well established machine, a trusted global brand and a reliable partner to get your job done right. In the long term, PALFINGER cranes are a cost-effective choice due to their excellent price-performance ratio – ensuring that professionals like you receive the benefits of high resale value. When you choose the EPSILON A-Line, you can expect LIFETIME EXCELLENCE from the leader in crane technology.

INNOVATION BY PASSION

MADE FOR PROFESSIONALS

Linkage System

- Top mounted cylinder for ultimate protection.
- Constant power and operation speed throughout the total working area.
- Up to 60% more lifting power, especially in the upper working area.

Cylinder Protection

- Maximum protection for the cylinder during operation.

Double Row Bearing

- Especially developed for heavy duty work to reduce maintenance and maximize performance.

Work Lights on Boom

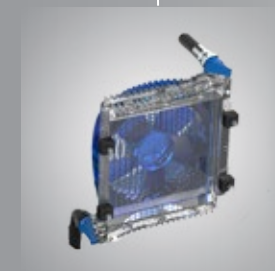
- Two halogen* work lights on outer boom (*LED optional).
- Well protected by robust metal covers.

EPSCOPE

- Patented telescope extension system with cylinder and hose equipment mounted inside for ultimate protection.

EPSLINK

- Patented link-rotator combination with robust 4-eye link for ultimate protection.



Inside Oil Cooler *

- Reduces setup time and maintenance costs.
- Space-saving solution.
- No additional installation required.
- Perfectly protected inside the frame.

* Optional Equipment



Weight- Strength optimization (FEM)

- Less weight due to high-tech computer simulations (Finite Element Method).

Work Lights on Platform

- Two additional halogen* work lights on operators platform. (*LED optional)
- Well protected by robust metal covers.

Comfort Drive

The new command center for professionals

Ergonomic arm rests

Every command is always at reach.

Mechanical extention without electric switch

Ergonomic joystick allows use of two functions at once (e.g. rotator & telescope).

Safety Frame and Cover

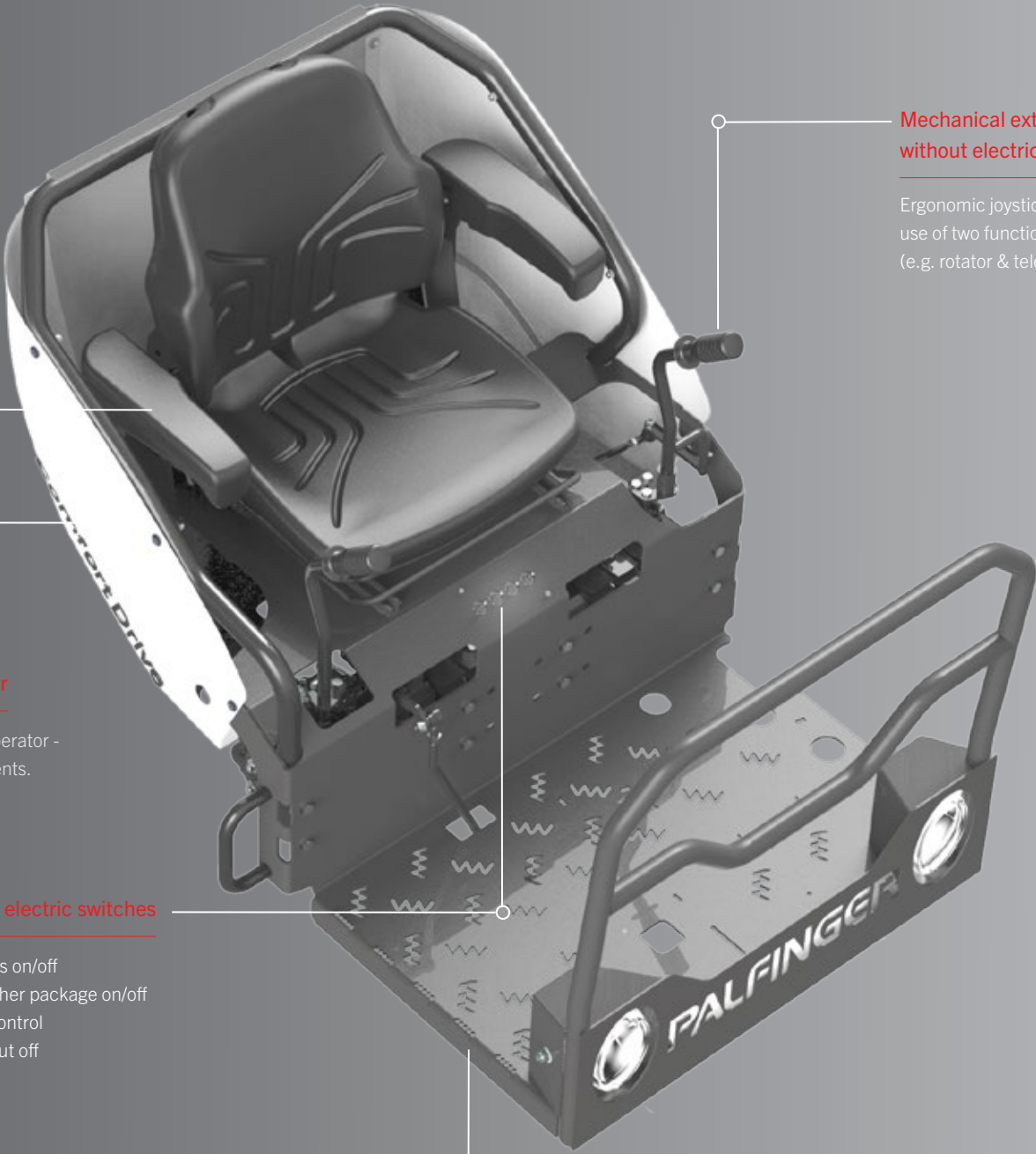
Protection cover for the operator - developed for harsh elements.

Additional electric switches

- Work lights on/off
- Cold weather package on/off
- Throttle control
- Engine shut off

Larger seat area

Extra large and adjustable seat area with very comfortable GRAMMER seat.



Cold weather package

Optional equipment for harsh environments

Heated Seat

For a comfortable job, even during the coldest conditions.

Heated Joysticks

Keep everything under control - regardless of snow and ice.



EPSHOOD

Optional protection hood for operators

Hood in open position

Provides an ideal view while the thermoplastic hood protects from sun and wind.

Operators protection position

Easily operate at this position - EPSHOOD keeps out rain, wind and snow.

Transport position

Mechanically fold the EPSHOOD into transport position to protect the Comfort Drive.

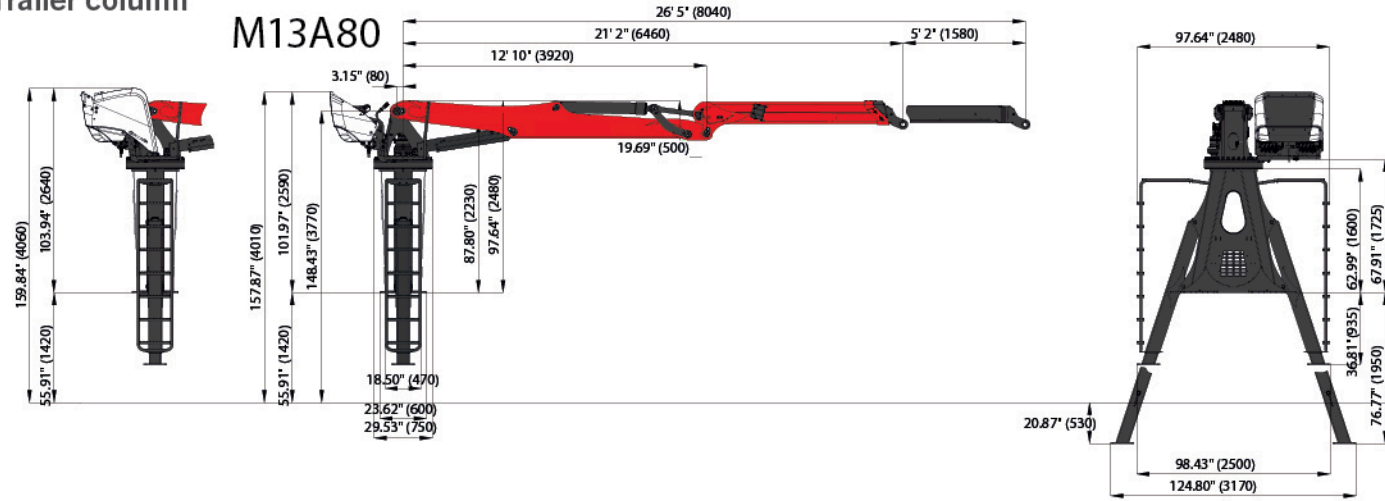


THE POWER OF INNOVATION

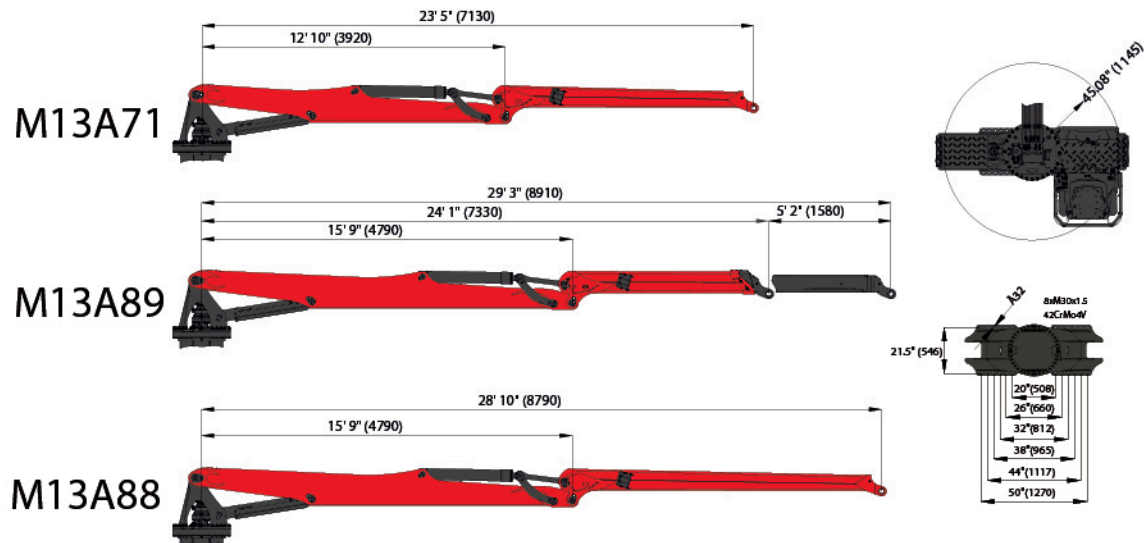
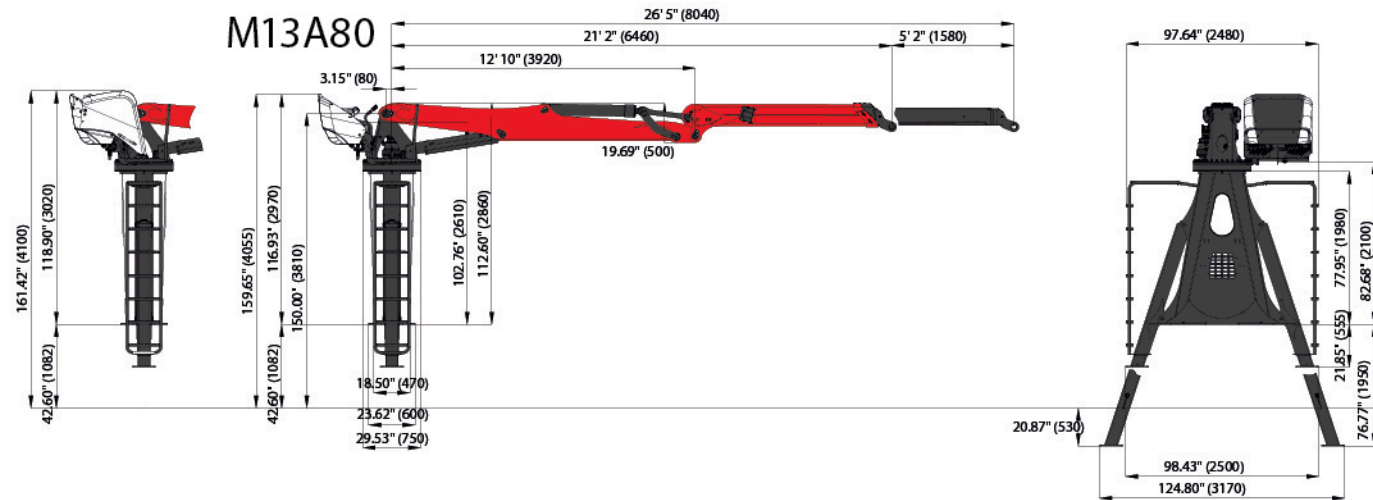


TECHNICAL DETAILS

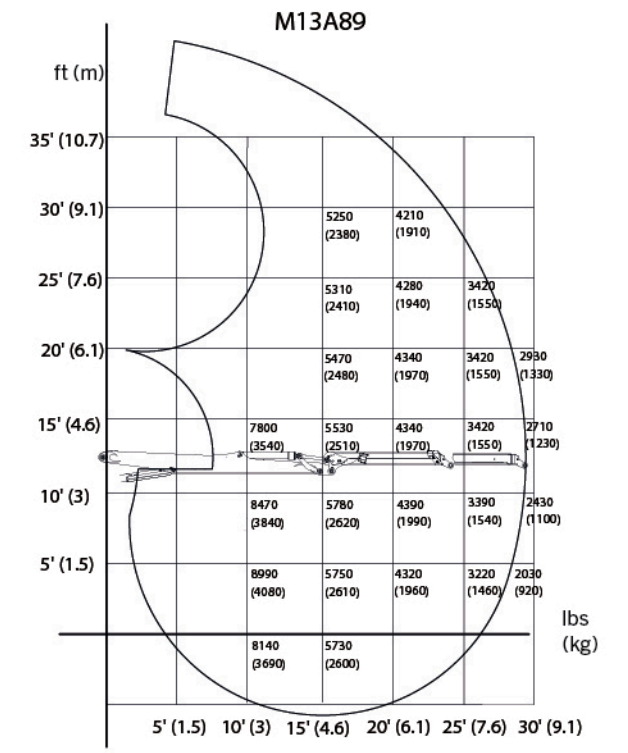
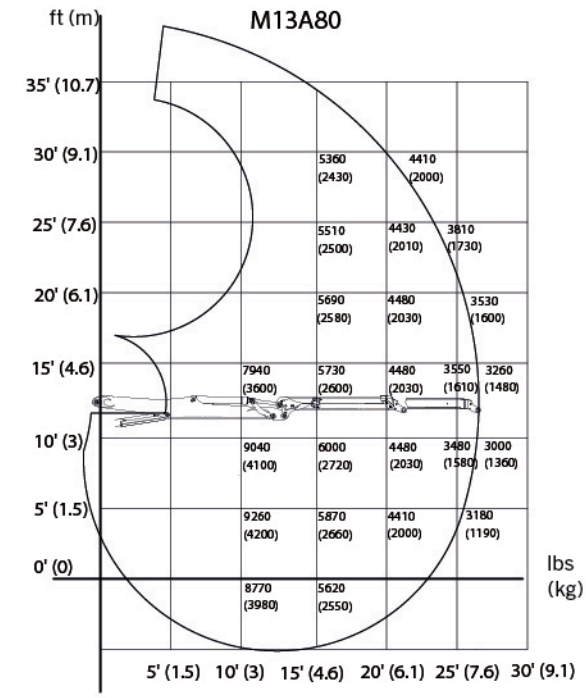
Trailer column



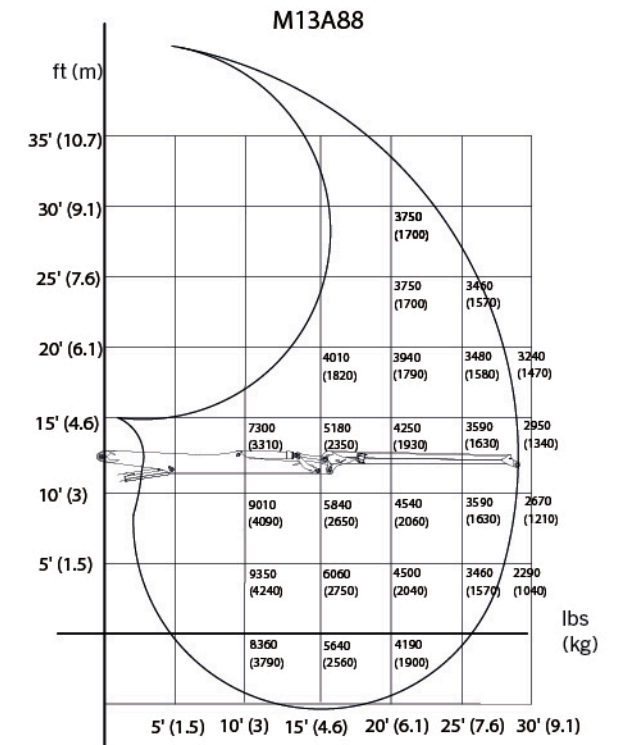
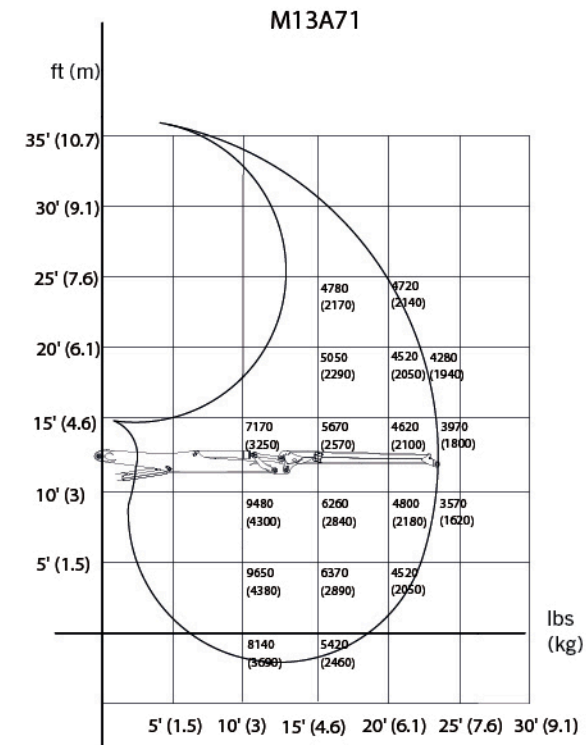
Truck column



Tele booms



Fixed booms



Measurements

boom type
 boom system
 lifting moment net
 slewing torque net
 slewing angle
 max. outreach
 operating pressure
 recommended pump capacity
 dead weight with trailer column (GAK), without link / rotator
 dead weight with truck column (GAL), without link / rotator

	tele				fixed				
	80	89	71	88	80	89	71	88	
(ft.lbs)	92 200	89 250	98 100	92 200	[kNm]	125	121	133	
[kNm]					[kNm]		19		
[°]	endless				[°]	endless			
[m]	26' 5"	29' 3"	23' 5"	28' 10"	[m]	8,0	8,9	7,1	
[psi]	3 410				[bar]	235			
2K [US gal./min]	2x 21				2K [l/min]	2x 80			
[lbs]	5 090	5 220	4 740	4 940	[kg]	2310	2370	2150	
[lbs]	5 280	5 410	4 930	5 110	[kg]	2395	2455	2235	



WWW.PALFINGER.COM

PALFINGER Inc.
PO Box 846
Niagara Falls, ON L2E 6V6
Canada
T +1 905-374-3363
F +1 905-374-1203
TF +1 800-567-1554
info@palfingerna.com

Cranes shown in the leaflet are partially optional equipped and do not correspond to the standard version. Country-specific regulations must be observed. Dimensions may vary. Subject to technical changes, errors and translation mistakes.