

EPSILON LOADERS

PALFINGER

PROFESSIONAL LOGGING SOLUTIONS A-LINE 2.0 | M13A





Worldwide, PALFINGER is known for providing the most EFFICIENT, RELIABLE and INNOVATIVE material handling products for use on commercial vehicles. Since its establishment in 1932, PALFINGER has been among the leading international manufacturers of hydraulic lifting solutions. PALFINGER began manufacturing EPSILON Timber and Recycling Loaders in 1980 and, in 1989, opened its North American Headquarters to offer solutions tailored to the North American market. Today, EPSILON loaders are a global leader in the logging and recycling segment.

The main guiding principal of PALFINGER is to make our customers more successful with the help of our advanced machines, market experience, technical skills and committed employees. In such, over 5000 sales and service centers operate in more than 130 countries to provide PALFINGER users with the support and dedication that they deserve.

At PALFINGER, we recognize that you have many choices when selecting your equipment provider. By investing in the EPSILON A-Line, you are selecting a well established machine, a trusted global brand and a reliable partner to get your job done right. In the long term, PALFINGER cranes are a cost-effective choice due to their excellent price-performance ratio – ensuring that professionals like you receive the benefits of high resale value. When you choose the EPSILON A-Line, you can expect LIFETIME EXCELLENCE from the leader in crane technology.

EPSILON - LOGGING WITH EXCELLENCE



INNOVATION BY PASSION

Linkage System

- Top mounted cylinder for ultimate protection.
- Constant power and operation speed throughout the total working area.
- Up to 60% more lifting power, especially in the upper working area.

Work Lights on Boom

- Two halogen* work lights on outer boom (*LED optional).
- Well protected by robust metal covers.

Cylinder Protection

- Maximum protection for the cylinder during operation.

Double Row Bearing

- Especially developed for heavy duty work to reduce maintenance and maximize performance.

Work Lights on Platform

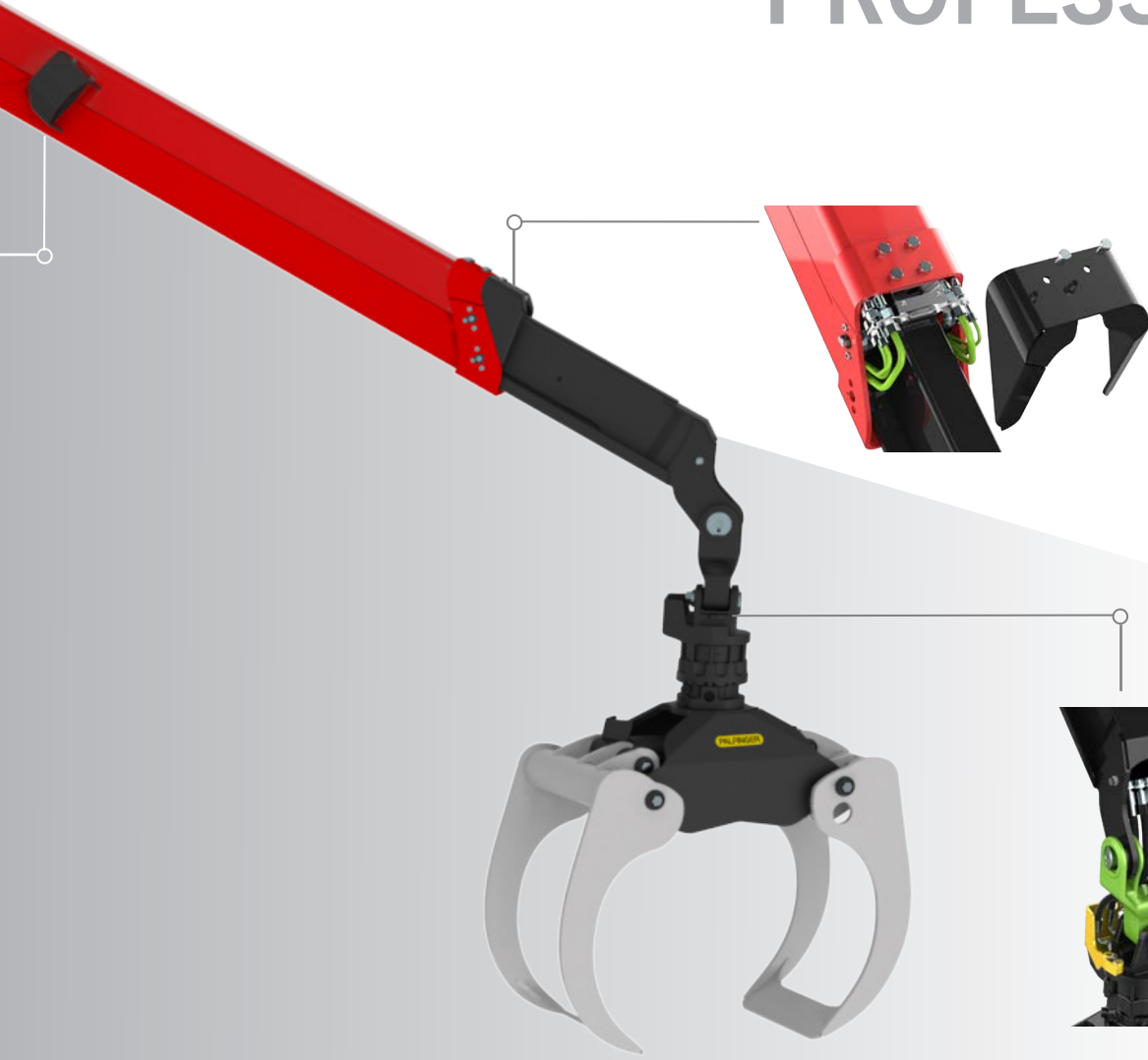
- Two additional halogen* work lights on operators platform. (*LED optional)
- Well protected by robust metal covers.



Inside Oil Cooler *

- Reduces setup time and maintenance costs.
- Space-saving solution.
- No additional installation required.
- Perfectly protected inside the frame.

MADE FOR PROFESSIONALS



EPSCOPE

- Patented telescope extension system with cylinder and hose equipment mounted inside for ultimate protection.

EPSLINK

- Patented link-rotator combination with robust 4-eye link for ultimate protection.



Weight- Strength optimization (FEM)

- Less weight due to high-tech computer simulations (Finite Element Method).

Comfort Drive

The new command center for professionals

Ergonomic arm rests

Every command is always at reach.

Maximum Protection

Rearward facing foldable joysticks for protection and safety during transport

Additional electric switches

- Work lights on/off
- Cold weather package on/off
- Throttle control
- Engine shut off

Safety Frame and Cover

Protection cover for the operator - developed for harsh elements.

Speed and Precision

Ergonomic joystick with additional electro hydraulic switches for multifunction operation

Larger seat area

Extra large and adjustable seat area with very comfortable GRAMMER seat.



Cold weather package

Optional equipment for harsh environments

Heated Seat

For a comfortable job, even during the coldest conditions.

EPSHOOD

Maximizes operator comfort and operation.



EPSHOOD

Optional protection hood for operators

Hood in open position

Provides an ideal view while the thermoplastic hood protects from sun and wind.

Operators protection position

Easily operate at this position - EPSHOOD keeps out rain, wind and snow.

Transport position

Mechanically fold the EPSHOOD into transport position to protect the Comfort Drive.



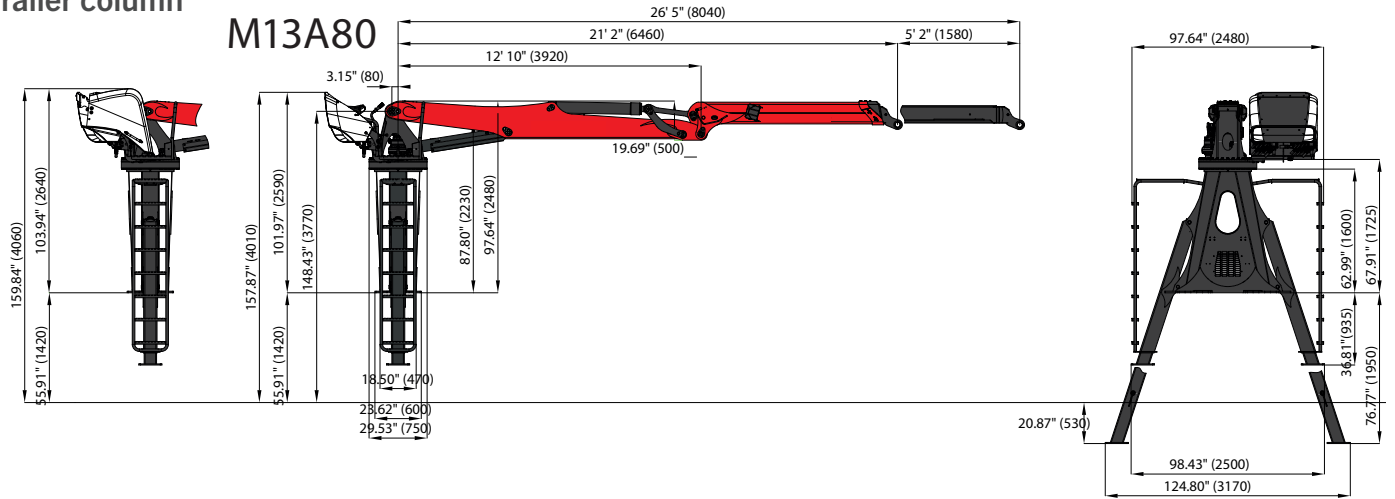
THE POWER OF INNOVATION



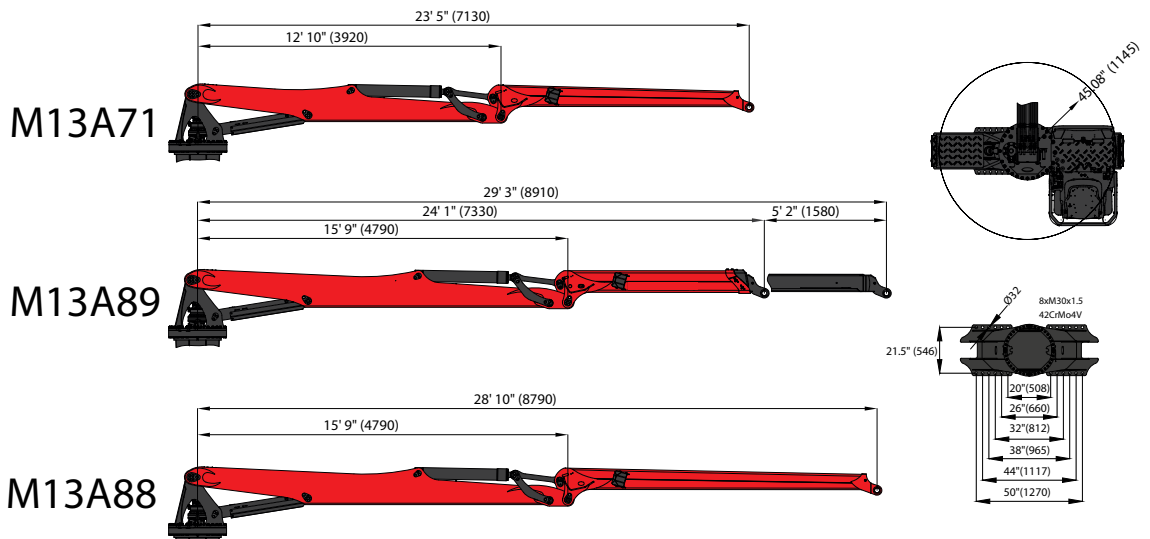
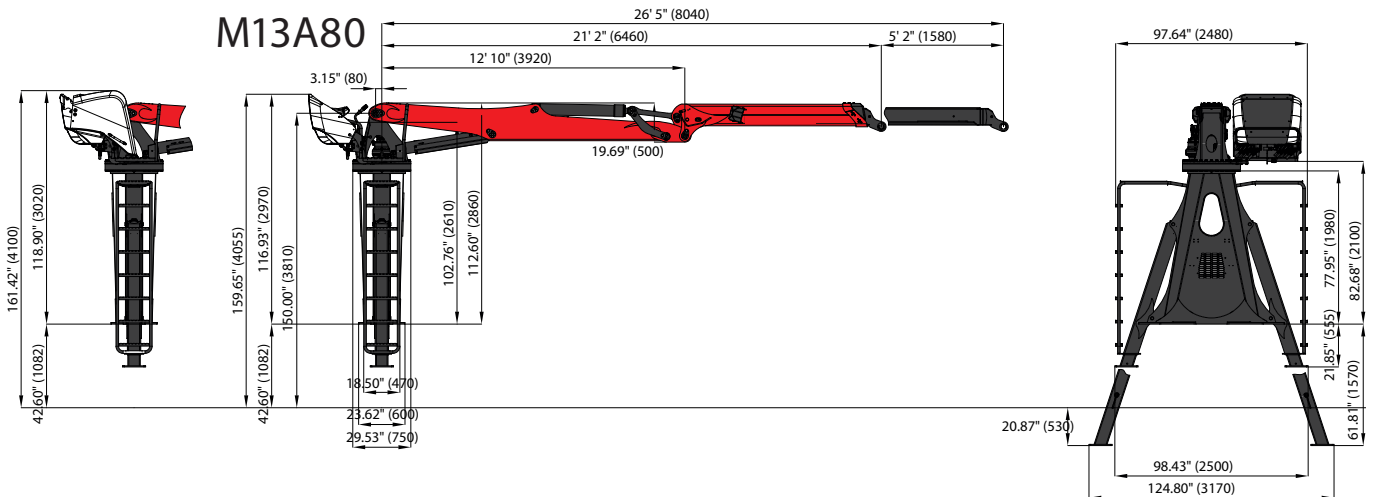


TECHNICAL DETAILS

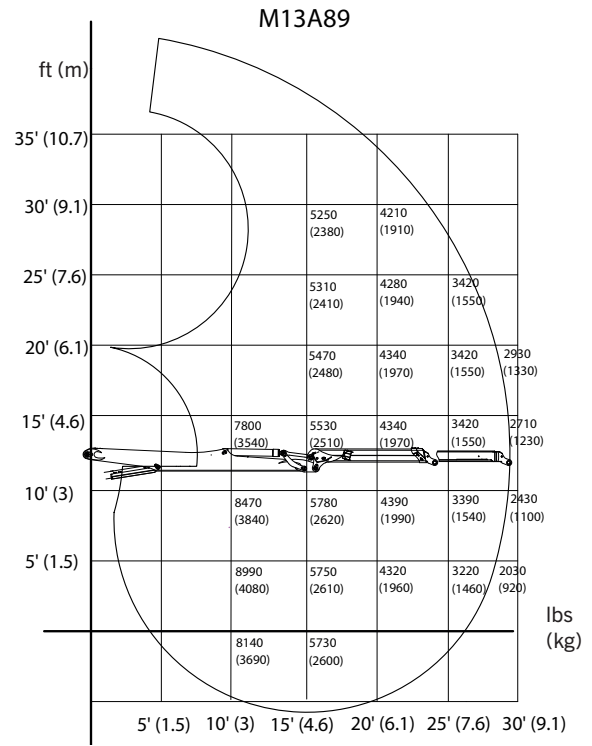
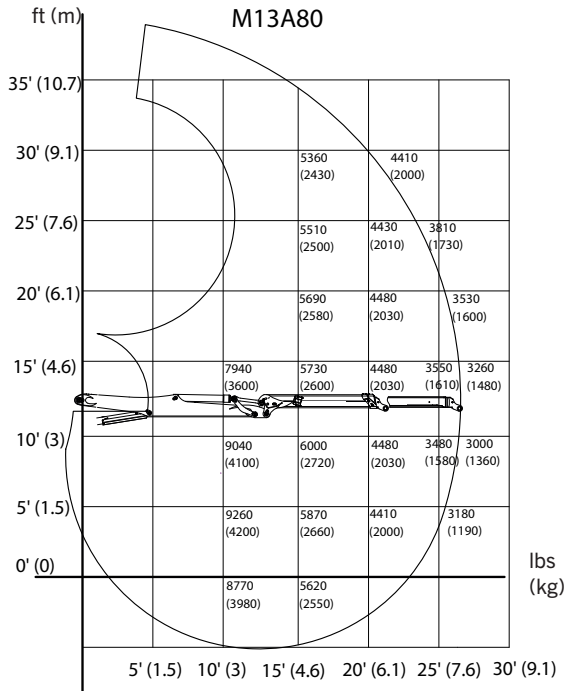
Trailer column



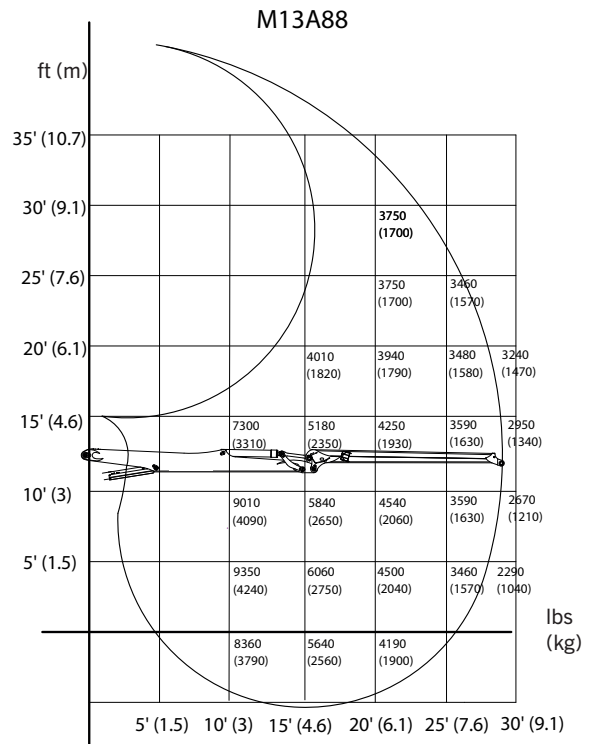
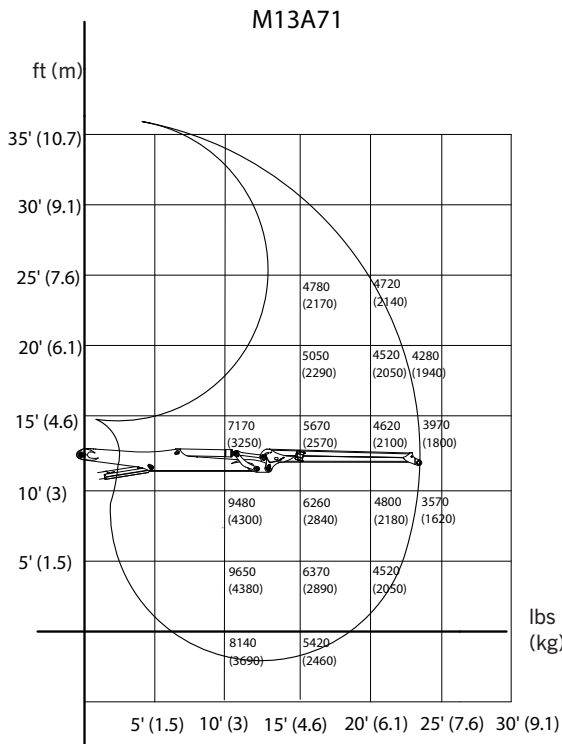
Truck column



Tele booms



Fixed booms



Measurements

boom type

boom system

lifting moment net

slewing torque net

slewing angle

max. outreach

operating pressure

recommended pump capacity

dead weight with trailer column (GAK), without link / rotator

dead weight with truck column (GAL), without link / rotator

	tele		fixed		tele		fixed		
	80	89	71	88	80	89	71	88	
[ft.lbs]	92 200	89 250	98 100	92 200	[kNm]	125	121	133	125
[ft.lbs]	14 010				[kNm]	19			
[°]	endless				[°]	endless			
	26' 5"	29' 3"	23' 5"	28' 10"	[m]	8,0	8,9	7,1	8,8
[psi]	3 410				[bar]	235			
2K [US gal./min]	2x 21				2K [l/min]	2x 80			
[lbs]	5 090	5 220	4 740	4 940	[kg]	2310	2370	2150	2240
[lbs]	5 280	5 410	4 930	5 110	[kg]	2395	2455	2235	2320

Lifted weight, net without accessories; weight of standard crane, incl. oil, spot lights and cyclinder protection, without link, rotator, material tolerance +/- 5%



WWW.PALFINGER.COM

PALFINGER Inc.
PO Box 846
Niagara Falls, ON L2E 6V6
Canada
T +1 800-567-1554
F +1 905-374-1203

PR078 is meant for international use. The availability of some models and the model and special equipment may vary from country to country. EPSILON reserves the right to change design or technical specification at any time without prior notice. Any changes would not be applied retrospectively to previously sold units. Information, description and illustrations are correct at time of going to print, but may also be changed without prior notice. Illustrations may show certain country specific executions and special equipment, and therefore may not be complete standard execution. Measure data without obligation. Lifting capacity presentations are standard illustrations and don't correspond the optimize boom position, where the maximum lifting capacity can be reached.